

SLC/A1 PLATE LIFTING CLAMP (Flexible solution)

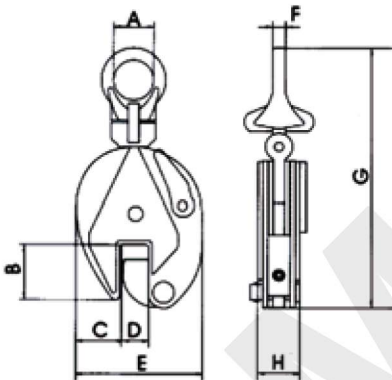
SLC/A1 PLATE LIFTING CLAMP (Flexible solution)



Jaw and floor Material:35Cr Mu Ti
Meets standard BS En13155

Technical Specialities

- 1.The Universal vertical SLC/A1 clamp is designed to ensure that the load can be lifted and turned(180°).Whilst at the same time ensuring that the load is positively retained.
- 2.These clamps have a wide range of uses and are particularly suited for the lifting and turning of steel plates,ship sections and extraction of pile sheets.
- 3.Fitted with a hinged hoisting eye moving in all directions so as to enable the user to place and lift the load from any directions.
- 4.Clamps are fitted with special hook-up facilities to enable easy fitment of the clamp in horizontal position.
- 5.The new models have a greater jaw aperture enabling plates of varying thickness to be lifted with the same clamp.
- 6.The clamp is fitted with a safety latch which ensures the proper use by means of a double locking device,both in open as well as closed position.
- 7.This also guarantees a pre-load on the material being lifted.
- 8.The clamps are suitable for surface hardnesses up to 37 Rc(345HB).Small overall dimension with a relatively high lifting capacity.
- 9.Overall forged structure with good traceability and the safety foactor of 6 times.



Working Load limit(WLL)-for loading capacity please consult diagram as above

Item NO	Capacity Ton	Test Load Ton	Dimensions(mm)								Net weight kg
			A	B	C	D	E	F	G	H	
SLC/A1-0050	0.5	1.0	30	43	34.5	0-15	103	10	212	36	1.8
SLC/A1-0100	1.0	2.0	48	63	51	0-20	138	12	294	50	4.7
SLC/A1-0200	2.0	4.0	68	76	59	0-25	164	16	370	52	8.2
SLC/A1-0300	3.0	6.0	74	85	56	0-30	193	20	418	78	14.5
SLC/A1-0500	5.0	10.0	80	90	65	0-50	240	22	450	88	21.6
SLC/A1-0800	8.0	16.0	80	175	80	40-80	345	25	568	100	32.6